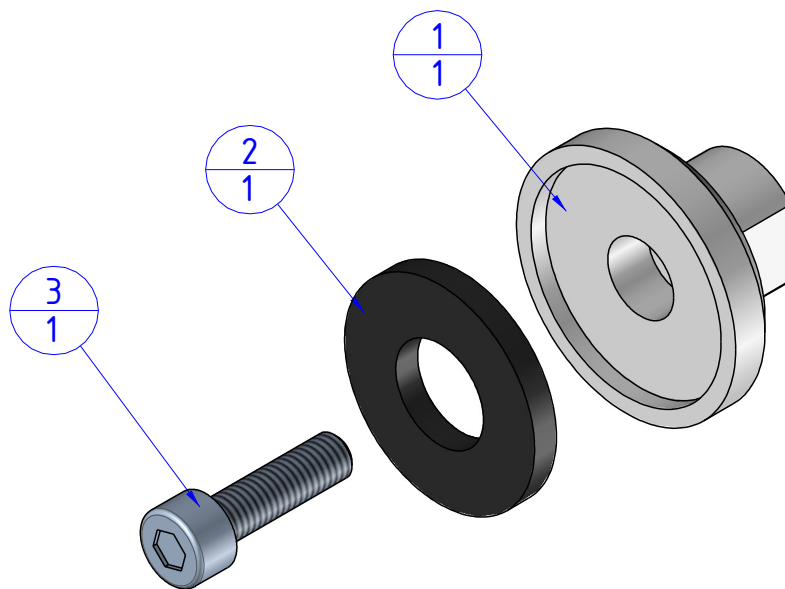
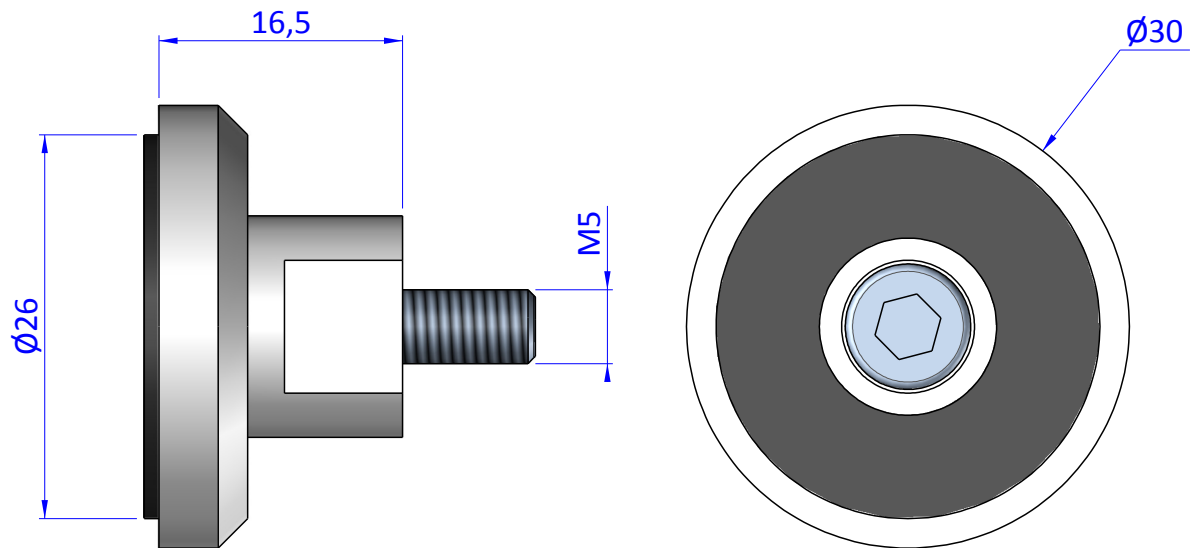

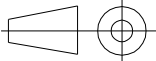


THE PROPERTY OF THE DRAWING IS ESTABLISHED BY LAW. IT IS FORBIDDEN TO PRODUCE OR SHOW IT TO THIRD PART. WITHOUT A WRITTEN AGREEMENT.

Item	Name	Q.ty
1	11.04.003.1	1
2	11.04.003.2	1
3	V.TCE5x18	1



<b>Format A4</b>  <b>UNI 936-76</b>	 <b>FPS</b> FPSERVICES AUTOMATION			DESIGNED FROM <b>FPS Automation</b>	REVIEW <b>A</b>
	GENERAL TOLERANCE UNI - ISO 2768 CLASSE f	DESCRIPTION  CA.11.04.003		DATE 21/05/2019	WEIGHT 0.015Kg
				CODE <b>CA.11.04.003</b>	